



CREATING A CLEANER, SAFER, HEALTHIER WORLD.



S30

MID-SIZED RIDER SWEEPER

- Provide excellent indoor and outdoor dust control with the SweepMax® *Plus* system
- Achieve consistent cleaning results in the toughest applications
- Ensure a healthy and safe environment with improved air quality
- Deliver easy operation and maintenance while running at peak performance

OPTIMIZED **SWEEPMAX® PLUS DUST CONTROL SYSTEM** OFFERS HIGHER CUSTOMER PRODUCTIVITY WITH **LESS DUST** GOING TO THE FILTER RESULTING IN **FEWER SHAKE BACKS** AND MORE TIME SPENT SWEEPING.



PATENTED 3-STAGE SWEEPMAX® PLUS DUST CONTROL SYSTEM
S30 is the only sweeper with cyclonics pre-filter stage of dust control.

Stage 1 – Perma-Filter™

- Tennant engineered design helps keep bulky debris, moisture and dirt in the hopper removing 90% of particulates from the air stream.

Stage 2 – SweepMax® Plus Cyclonics

- Longer filter life with exclusive cyclonics dust control that removes an additional 90% of dust particles from the air stream before reaching the filter.
- Cleaner air to filter means more time between filter shakebacks, and more time spent sweeping.

Stage 3 – Canister Nanofiber Filter

- MERV 15-rated, flame retardant Donaldson Ultra-Web® filter loads and shakes-back 70% more effectively, and cleaner air from filtering sub-micron dust particulates down to .5 microns at 99% efficiency.
- Excellent vacuum fan protection with 80 ft² (7.5 m²) surface area.

REDUCE YOUR COSTS AND MAXIMIZE PRODUCTIVITY

- In-hopper filter housing has shorter path for air to travel and shakes-back dust directly into the hopper, so dust is evacuated when the hopper is dumped.
- Quieter shakeback operation with in-hopper patented ShakeMax® 360 orbital shaker system.
- No-tool access with latches that remove the cyclones in seconds.
- Increase efficiency with monitoring from automatic notification and shaking (XP, X4).

EXCELLENT INDOOR AND OUTDOOR DUST CONTROL WITH THE **SWEEPMAX® PLUS CYCLONIC SYSTEM** HELPS REDUCE COST TO CLEAN, IMPROVE FACILITY IMAGE AND PROVIDE A SAFE ENVIRONMENT



THE S30 MID-SIZE RIDER SWEEPER DELIVERS EXCEPTIONAL DRY DUST CONTROL BENEFITS



REDUCE COST TO CLEAN

Increase productivity with the patented SweepMax® Plus cyclonic dry dust control system that reduces dust from reaching the filter, resulting in fewer shake backs and more time spent sweeping.



HEALTH & SAFETY

Reduce slip and fall potential by keeping floors clean of dust and debris with excellent dust control and debris pick-up.



ENHANCE FACILITY IMAGE

Protect your facility, assets and merchandise from getting dirty or damaged by capturing dust and debris with effective patented SweepMax® Plus dust control system.



EASY OPERATION & MAINTENANCE

Deliver consistent sweeping results with this easy-to-operate and maintain sweeper which runs at peak performance year after year with its quality engineering.

INSIDE THE S30



Exclusive color coded brush wear indicator for correct brush position



Optional 1-Step™ start button simplifies operator training with controls that enable sweeping systems to be activated with a single green button

Simple “All-Levers Forward” control system delivers consistent sweeping results and simplifies operation

Exclusive cab forward design for reduced operator fatigue and increased comfort

Rounded corner design improves turn-off from walls or racking to minimize damage

II-Speed™ sweep system increases the speed of the main brush, side brush, and vacuum fan by 15%

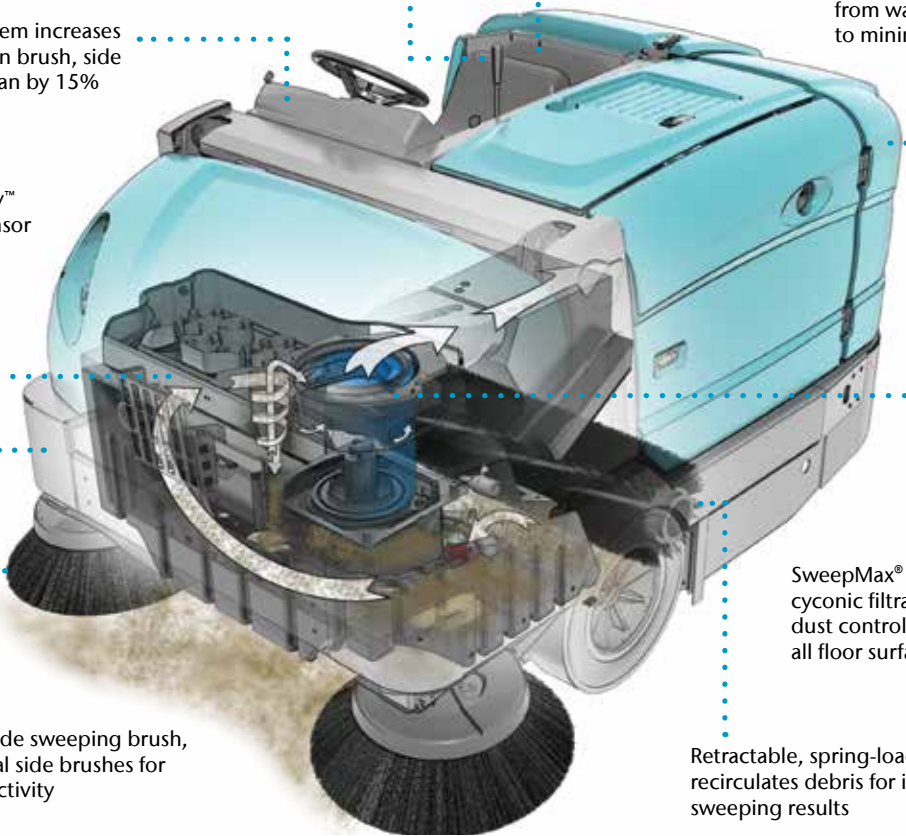
Standard Thermo-Sentry™ hopper temperature sensor

Heavy-gauge steel machine frame designed for long-term structural reliability and strength

Standard right-side sweeping brush, and optional dual side brushes for increased productivity

SweepMax® Plus provides cyconic filtration and dry dust control for sweeping all floor surfaces

Retractable, spring-loaded flap recirculates debris for improved sweeping results



Reduce downtime and operator fatigue with easy no-tool brush removal and change, aided by the self-guiding 8-spline drive and idler hub

Effective one-pass sweeping with a retractable, spring-loaded re-circulation flap near the rear skirt, recirculating any debris that may escape over the main brush

Increased sweeping results with a main brush that is only 2 in (51 mm) wider than the hopper opening, as compared to some competitors with brushes wider than their hopper openings



KEY S30 SWEEPER FEATURES TO HELP MAXIMIZE PRODUCTIVITY, REDUCE COSTS, INCREASE SAFETY

- **Patented SweepMax® Plus cyclonic dry dust** separation technology removes an additional 90% of dirt and dust particles before reaching the filter
- **Donaldson Ultra-Web® MERV 15 nanofiber filter** loads and shakes back more effectively
- **8 spline brush drive** with deep 6.5 in (165 mm) brush engagement delivers consistent brush pressure plus end-to-end brush rotation for one pass sweeping
- **EasyOpen™ service access** with onboard diagnostics
- **Large capacity hydraulic oil tank** and triple accessory pumps
- **Dumps at any height** from ground level to 60 in / 1525 mm and reaches up to 30 in / 760 mm into a standard dumpster
- **II-Speed™ sweeping** increases main brush, side brush, and vacuum fan speeds up to 15%
- Easy-to-set **color-coded brush wear indicator** for quick brush pressure settings
- **Patented ShakeMax® 360** orbital shaker in-hopper delivers 70% more effective shakeback and quieter operation
- **No-tool access** to the cyclonic system provides easy clean-outs and minimizes maintenance time
- **Optional FOPS Certified Cab** provides protection from falling objects
- **Optional ANSI tested Overhead Guard** protects the operator from objects falling directly above
- Standard Configurations:
 - Base 3-wheel, plastic hopper, mechanical controls, and standard seat
 - S30 XP 3-wheel, plastic hopper, electronic controls, deluxe seat
 - S30 X4 (Diesel Only) 4-wheel, plastic hopper, electronic controls, deluxe seat



Achieve outstanding results in diverse environments with dual side brushes which, combined with a large 14 ft³ / 395 L Duramer™ hopper, allow you to sweep up to 80 in / 2,030 mm in a single pass.

Travel between work sites safely and quickly with the S30 X4 configuration that travels up to 15 mph / 24 km/h on a stable 4 wheel platform with comfortable suspension.

Operate safely and comfortably in even the most severe environments, with an optional FOPS certified (ISO 3449) pressurized cabin, available with heat and air conditioning.



TENNANTTRUE® PARTS, SERVICE AND FINANCE SOLUTIONS

- Reduce rework, labor and safety costs by using only TennantTrue parts and service.
- Ensure optimal cleaning performance by selecting a TennantTrue Service program provided by a network of over 400 factory-trained Tennant service representatives.
- Improve uptime by leveraging TennantTrue parts and service.
- Simplify budgeting by bundling TennantTrue service plans, including parts, into the purchase or financing of your machine.

Lease. Pre-Owned. Rent. Tennant has flexible options that get you the machines you need, however you need them.

S30 MID-SIZE RIDER SWEEPER

SWEEPING SYSTEM

Cleaning path	
Single side brush	62.5 in / 1,588 mm
Dual side brush	80 in / 2,032 mm
Main brush	
Main brush length (<i>tubular</i>)	45 in / 1,145 mm
Main brush lift	Mechanical or Hydraulic
Main brush change	No-tool
Side broom	
Side broom diameter	26 in / 660 mm
Debris hopper	
Volume capacity	14 ft ³ / 395 L
Weight capacity (<i>plastic</i>)	1,080 lb / 490 kg
Weight capacity (<i>steel</i>)	1,200 lb / 545 kg
Dump height (<i>variable to</i>)	60 in / 1,525 mm
Dump reach	30 in / 760 mm

DUST CONTROL SYSTEM

Filter system (<i>triple stage</i>)	
Stage 1	Perma-filter™
Stage 2	SweeperMax® Plus Cyclonic pre-filter
Stage 3	Donaldson Ultra-Web® Nanofiber canister filter
Filter area	80 ft ² / 7.4 m ²
Dust filtration (<i>seasoned filter</i>)	0.5 microns @ 99% efficiency
Shaker mechanism	ShakeMax® 360 Orbital Shaker
Vacuum fan speed	
Normal sweeping mode	4,600 rpm
Litter sweeping mode	5,500 rpm
Vacuum diameter	11 in / 280 mm

PROPELLING SYSTEM

Propel speed forward (<i>variable to</i>)	
3-wheel (Gas/LP)	8 mph / 13 km/h
X4 (Diesel)	15 mph / 24 km/h
Propel speed reverse (<i>variable to</i>)	3.0 mph / 5.0 km/h
Engine-gasoline	
Gross Intermittent Power*	50.7 hp / 37.8 kw @2800 rpm
Tennant Governed Power	40.6 hp / 30.3 kw @2300 rpm
Engine-LPG	
Gross Intermittent Power*	51.6 hp / 38.5 kw @2800 rpm
Tennant Governed Power	42.4 hp / 31.6 kw @2300 rpm
Engine-diesel	
Gross Intermittent Power*	24.8 hp / 18.5 kW @2300 rpm
Tennant Governed Power	24.8 hp / 18.5 kW @2300 rpm
Gradeability - full hopper	
3-wheel (Gas/LP)	10° / 18%
X4 (Diesel)	6° / 10.5%
Gradeability - empty hopper	
3-wheel (Gas/LP)	14° / 25%
X4 (Diesel)	9° / 16%
Ground clearance	4 in / 100 mm

MACHINE SPECIFICATIONS

Length	93 in / 2,360 mm
Width	62.5 in / 1,590 mm
Height	
With overhead guard	82.5 in / 2,095 mm
Without overhead guard	58 in / 1,475 mm
Weight (net, 3-wheel)	3,570 lb / 1,620 kg
Minimum aisle turn	113 in / 2,870 mm

WARRANTY

See your local representative for warranty information.

*Per SAE J1995

Specifications based on standard machine configurations, no options.
Specifications subject to change without notice.

SEEING IS BELIEVING

For a demonstration or additional information,
call +1.800.553.8033 or email info@tennantco.com

1.013.001.am.en S30 Brochure 7/19
©2019 Donaldson Ultra-Web® and the color blue are registered trademarks of Donaldson Company, Inc. The Tennant Company logo and other trademarks designated with the symbol "®" are registered in the United States and/or other countries. Tennant Company's products are sold and serviced through subsidiaries of Tennant Company and distributors. All rights reserved.

Tennant
701 North Lilac Drive
Minneapolis, MN 55422 USA

USA/Canada: +1.800.553.8033
Quebec: +1.800.361.9050
Overseas: +1.763.540.1315

www.tennantco.com
info@tennantco.com