



HS SERIES HSE

Semi-Vortex - Wastewater Pump with Agitator

SPECIFICATIONS

✓ FEATURES



**Automatic
Water
Level
Sensor**

HSE2.4S

- Semi-vortex urethane rubber impeller with agitator suspends solids and allows for pumping of sand and stringy material.
- Highly efficient, continuous duty air-filled, copper wound motor with class E insulation minimizes the cost of operation.
- Built in thermal protection prevents motor failure due to overloading, accidental run-dry and single phasing in three phase units.
- Double inside mechanical seals with silicon carbide faces running in an oil filled chamber provide for one the most durable seal designs available.
- Double shielded, permanently lubricated, high temperature C3 ball bearings rated for a B-10 life of 60,000 hours provide for extended operational life.

✓ APPLICATIONS

- Residential, commercial, industrial wastewater and site drainage.
- Decorative waterfalls and fountains.
- Raw water supply from lakes or rivers.
- Sediment removal from small sumps or basins.



✓ SPECIFICATIONS

HSE SERIES		STANDARD	OPTIONS
Discharge Size		2" NPT (50mm)	
Horsepower Range		1/2HP (0.40kW)	
Performance Range	Capacity	0 - 39GPM (0 - 0.20m³/min)	
	Head	3.6 - 39.0ft. (1.1 - 12m)	
Maximum Water Temperature		104F° (40C°)	
Materials of Construction	Casing	Cast Iron	
	Impeller	Urethane Rubber	
	Shaft	403 Stainless Steel	
	Motor Frame	Aluminum Alloy	
	Fasteners	304 Stainless Steel	
Mechanical Seal		Silicon Carbide	
Elastomers		NBR (Nitrile Butadiene Rubber)	
Impeller Type		Semi-Vortex, Solid Handling	
Solids Handling Capability		0.276" (7.0mm)	
Bearings		Prelubricated, Double Shielded	
Motor Nomenclature	Type, Speed, Hz	Air Filled, 3600RPM, 60Hz	
	Voltage, Phase	115 / 230V, 1 Phase	
	Insulation	Class E	
Accessories		Submersible Power Cable, 32' (10m)	Length as required
Operational Mode		Automatic	

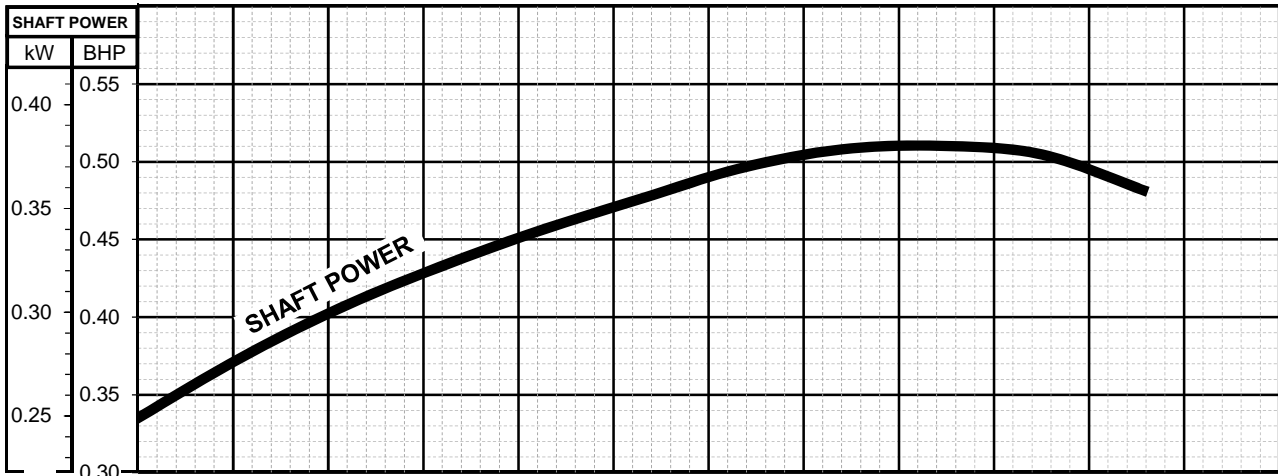
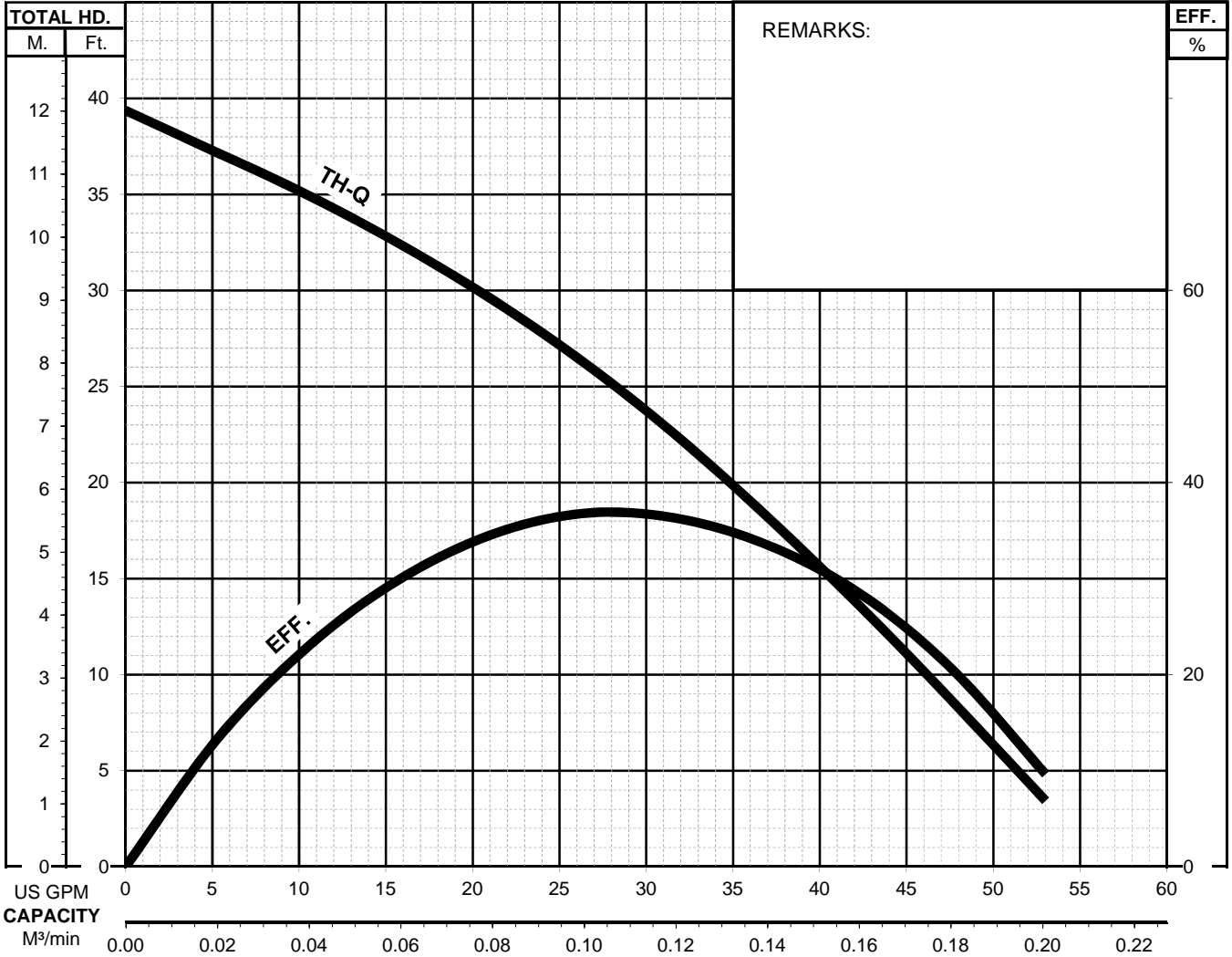


HSE - SERIES

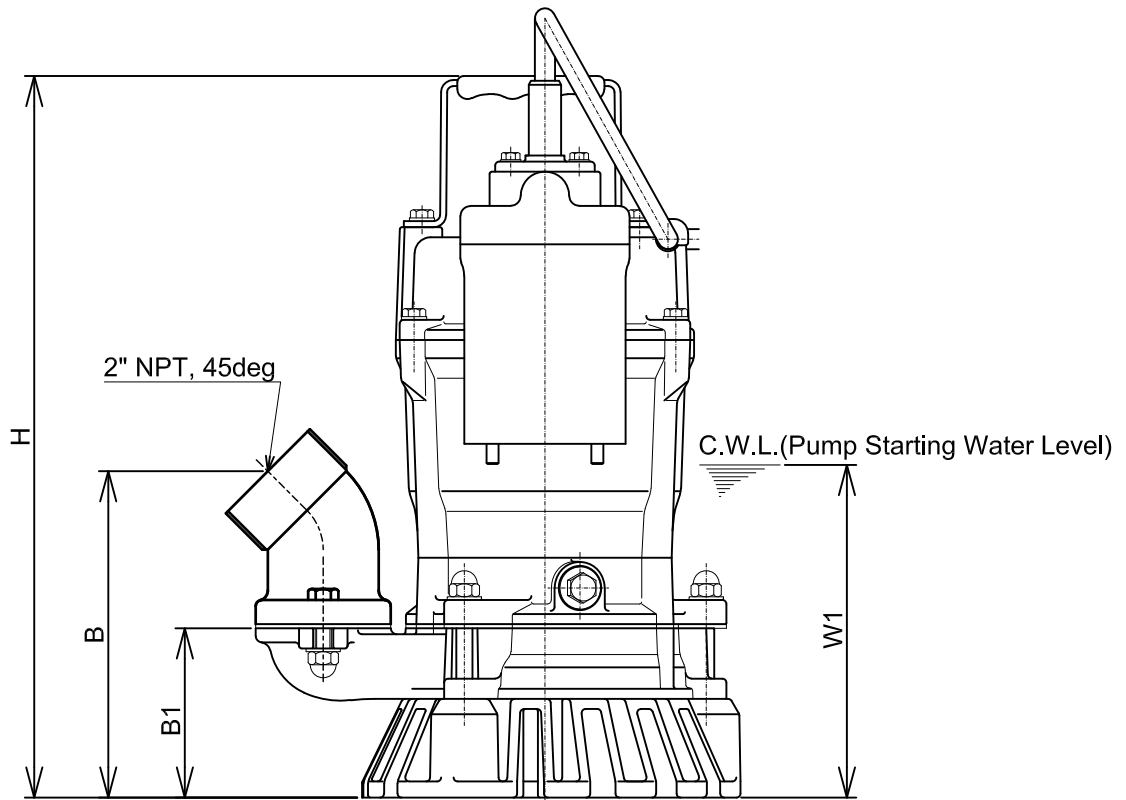
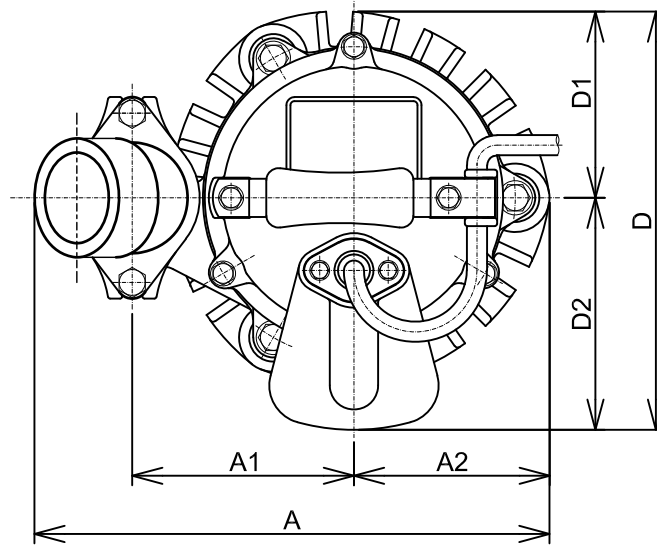
SEMI-VORTEX - WASTEWATER PUMPS (AUTO)

PERFORMANCE
CURVE

MODEL	BORE	HP	KW	RPM	SOLIDS DIA.	LIQUID	SG.	VISCOSITY	TEMP.
HSE2.4S-62	2"/50mm	0.54	0.4	3320	0.28"/7mm	Water	1.0	1.123cSt.	60°F
PUMP TYPE	PHASE	VOLTAGE	AMPERAGE	HZ	STARTING METHOD	INS. CLASS			
Semi-Vortex - Wastewater Pump	3	115 / 220	5.2 / 2.7	60	Capacitor Start	E			
CURVE No.	DATE	PHASE	VOLTAGE	AMPERAGE	HZ	STARTING METHOD	INS. CLASS		
-	-	-	-	-	-	-	-		



HSE2.4S-62



C.W.L. :Continuous running Water Level

DIMENSIONS:USCS (Inch)

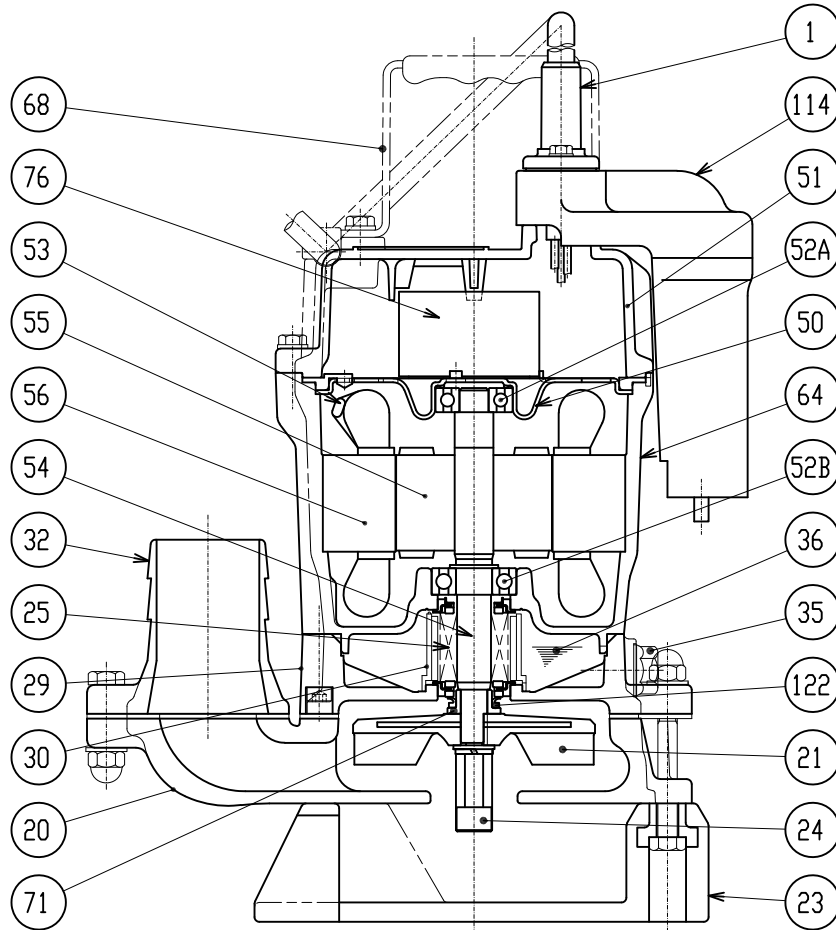
Model	HP	NOM. SIZE	Pump & Motor										C.W.L.	*Wt.
			A	A1	A2	B	B1	D	D1	D2	H	W1	(lbs.)	
HSE2.4S-62	1/2	2"	10 1/16	4 5/16	3 13/16	6 3/8	3 5/16	8 1/8	3 5/8	4 1/2	14 1/8	6 1/2	26	

*Excluding Cable

DIMENSIONS:METRIC (mm)

Model	kW	NOM. SIZE	Pump & Motor										C.W.L.	*Wt.
			A	A1	A2	B	B1	D	D1	D2	H	W1	(kg)	
HSE2.4S-62	0.40	50	255	110	97	162	84	207	92	115	358	165	11.9	

HSE2.4S-62



ITEM#	DESCRIPTION	MAIN MATERIAL / NOTE	RELATED ASTM, AISI CODE	RELATED EN CODE	Q'TY
1	Power Cable	PVC Sheath AWG16/3-20ft			1
20	Pump Casing	Ductile Cast Iron	A536 Grade 100-70-03	EN-GJS-700-2	1
21	Impeller	Urethane Rubber			1
23	Suction Strainer	PVC			1
24	Agitator	Steel	A283 Grade D	EN 10025 S275	1
25	Mechanical Seal	Silicon Carbide / W-14VL		EN 10025 S275	1
29	Oil Casing	Cast Iron	A48M Class30B	EN 1561 GJL-200	1
30	Oil Lifter	PBT Resin			1
32	Discharge Connection	Cast Iron / NPT 2"	A48M Class30B	EN 1561 GJL-200	1
35	Oil Plug	Stainless Steel	S 30400	1.4301	1
36	Lubricant	Turbine Oil ISO VG32 or SAE10W-20			
50	Motor Bracket	Steel (Electro-Galvanized)	A591	EN 10152	1
51	Motor Head Cover	Aluminum Alloy Die Casting	B85 383.0	EN 1706 AC-46100	1
52A	Upper Bearing	#6201ZC3			1
52B	Lower Bearing	#6202ZC3			1
53	Motor Protector				1
54	Shaft	Stainless Steel	S 40300	1.4000	1
55	Rotor				1
56	Stator				1
64	Motor Housing	Aluminum Alloy Die Casting	B85 383.0	EN 1706 AC-46100	1
68	Handle	Steel (Hot Rolled) + NR Rubber	A1011	EN 10111	1
71	Shaft Sleeve	Stainless Steel	S 30400	1.4301	1
76	Capacitor				1
114	Relay Unit	Styrene Butadien Rubber			1
122	V-Ring	Nitrile Butadiene Rubber			1